

**HATSUTA**

# Cabinex General Catalogue



COX-7EN2

C

A

B

I

N

E

X

CABINEX  
GENERAL  
CATALOGUE



**Save Your Future.**

# HATSUTA AUTOMATIC CO<sub>2</sub> FIRE EXTINGUISHING SYSTEM CABINEX SERIES

Our Auto Fire Suppression Systems have been protecting many factory tools for more than 20 years. For clean rooms, CABINEX series have been used for more than 20 years in the Semiconductor and FPD industries world wide. Constant fire protection 24 hours a day, to extinguish and prevent fire damage.

## PRODUCTS

### INDEX

■ Manufacturing machines to be protected .....	2
■ CABINEX-EWT .....	3
■ CABINEX-EN2 .....	9
■ CABINEX-KZ .....	11
■ Installation of Cabinex for Semiconductor and Flat Panel Display Production Tools .....	13
■ Cabinex Installation for Machine Tools .....	14
■ ARGONITE-CABINEX .....	15
■ Sensors .....	17
■ GLOBAL SERVICE NETWORK .....	19
■ Company Profile .....	20

# Manufacturing machines to be protected

Manufacturing machines that use flammable solvents or alcohol, for separating or other purpose.

## Semiconductor. FPD Tools

Process	Tool
Reticule photo mask process	Reticule cleaning equipment
Developing etching process	Etcher Coater Coating and stripping equipment Vapor drying equipment
Wafer polishing process	Cleaning equipment using flammable solvents
Photo resist coating process	Spin coating equipment IPA cleaning equipment Vapor drying equipment
Oxide diffusion CVD ion implanting	Cleaning equipment using flammable solvents
Universal	Flammable solvent supply unit Waste treating and recovering unit
Others	Other equipment using flammable solvents

## Machining Tools

- Cleaning tools
- Electric discharge machine
- Magnesium chipping (Argonite)
- Chemical recycle unit
- Chemical supply unit
- Sputtering system
- Thin-film deposition system
- Machining center
- NC lathe
- CNC lathe
- Grinding machine
- Mist collector
- I.P.A Cleaning tools
- Automatic soldering tanks
- Thermostatic chamber
- Other test tools
- Exhaust piping

FM Approved

# CABINEX-EWT



Automatic Fire Extinguishing System(CO<sub>2</sub>)for Semiconductor and F.P.D Manufacturing.

CO<sub>2</sub>Suppression System for Semiconductor Manufacturing Equipment.

Meets the global safety requirements of the Semiconductor and Flat Panel Display (F·P·D) Manufacturing Industries.

## CABINEX-EWT

FM Approved



COX-EWT

### Optimal Fire Detector

- Heat Detector  
THIS-20
- 3 Wavelength IR Flame Detector  
SX-7000

## Point

### FM Approved

### Compact and Slim

The dimensions of the extinguishing system are approximately 25% more compact than previous models.

### History Function

The control panel includes addressable points and history functions as standard. The time of a detector's alarm, a fault situation, and the detector activated, can be easily checked on the LCD display.

### CO<sub>2</sub> for clean efficient extinguishing

The required amount of CO<sub>2</sub> for extinguishing is calculated by using approved FM regulations to ensure complete extinguishment. CO<sub>2</sub> is non-conductive and clean. After discharging CO<sub>2</sub>, there is little effect on the clean room environment and the protected equipment.

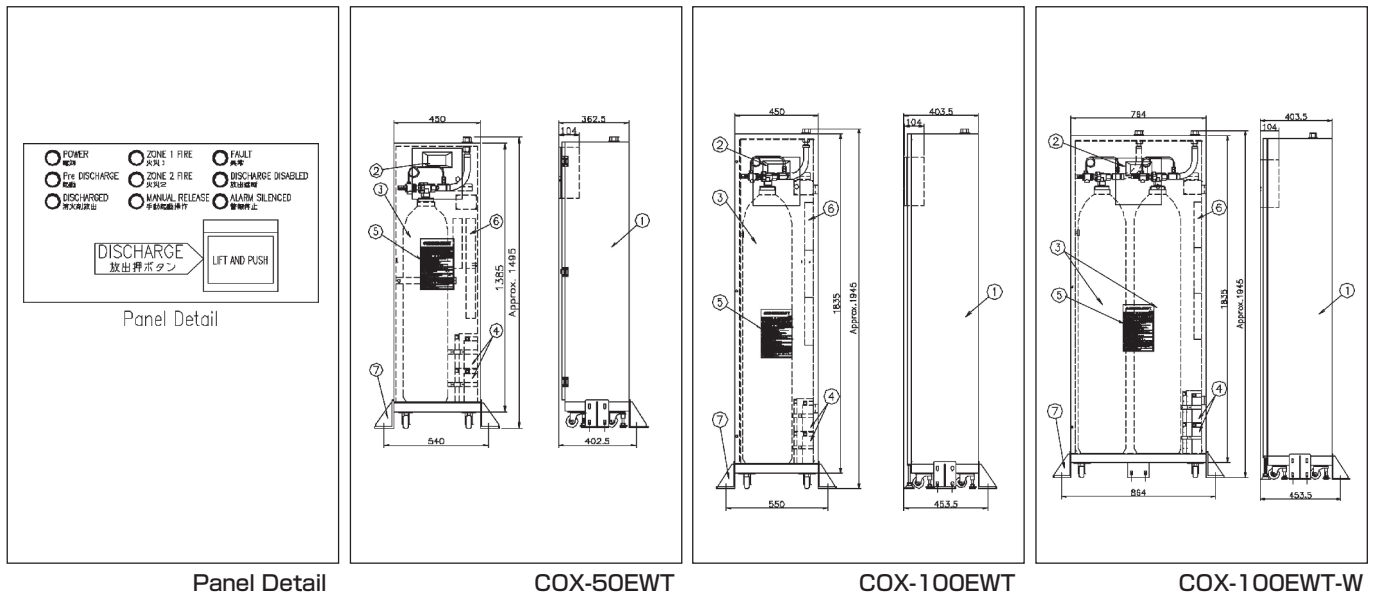
### After Care and Service

Fire extinguishing system are essential for protecting life and equipment when a fire breaks out. They must be reliable and maintained regularly. Hatsuta's service network will provide users with the necessary "after care" and speedy service required.

### High Quality, High Performance

Produced in on ISO 9001 factory. The Cabinex-EWT is of high quality and meets world wide requirements.

## Constructions



Panel Detail

COX-50EWT

COX-100EWT

COX-100EWT-W

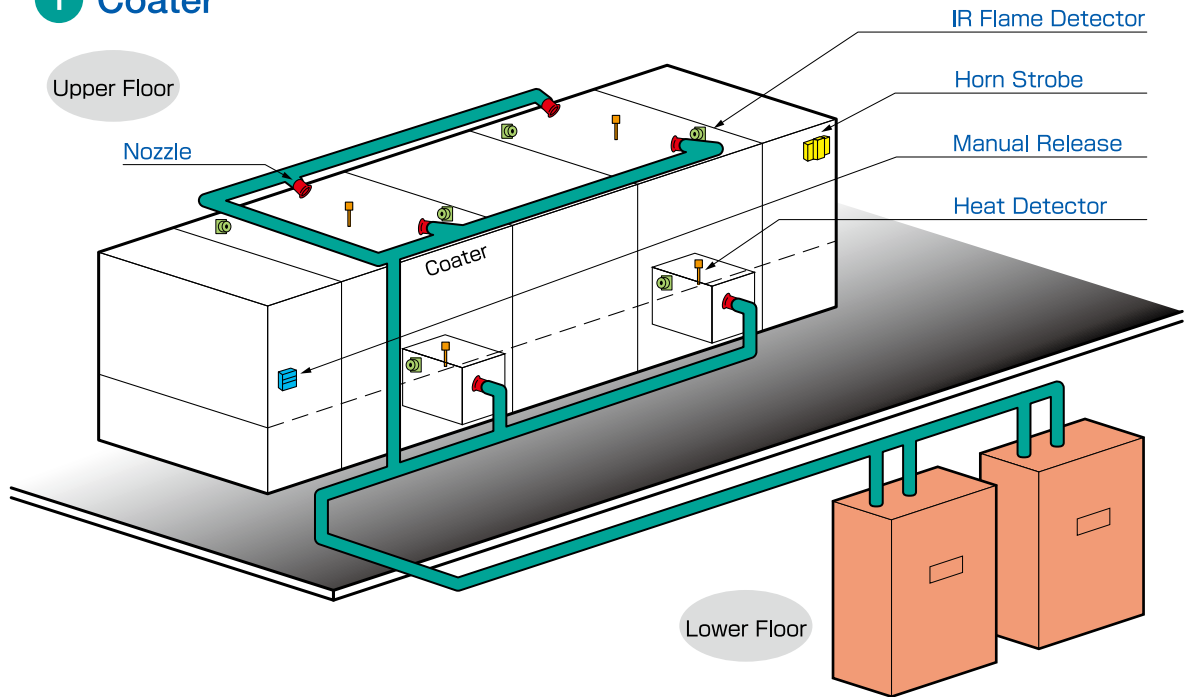
## CABINEX-EWT Specifications

CABINEX-EWT			
Model No.	COX-50EWT	COX-100EWT	COX-100EWT-W
Approvals	FM Approved		
Extinguishing Agent	CO <sub>2</sub>		
Extinguishing Agent Weight	22.7kg (50LB)	45.4kg (100LB)	45.4kg (100LB)×2
Dimensions (H×W×D)mm	1,530×500×370mm	1,980×550×400mm	1,980×850×400mm
Color	Red		
Total Weight (Approx.)	170kg	270kg	400kg
Operating Temperature	0~40°C		
Input Voltage	AC 100-120V / 187-240V, 50 / 60Hz		
Power	105W max		
Control Circuit Voltage	DC24V		
<b>INPUT/OUTPUT</b>			
Battery Input	12V DC Battery ×2		
SI Module Input	1 line		
Manual Stations Input	1 line		
Discharge Module Input	1 line		
Relay Module Input	1 line		
Actuator Output	DC24V / 1.0A Max.		
Horn & Strobe Output	DC24V / 0.5A Max.		
Output Voltage	DC24V / 1.0A Max.		
Fire Alarm Relay	DPDT Contact Rating:60W / 125VA, Voltage:AC250 / DC200V Max., Current:1A Max.		
Pre-Discharge Relay	DPDT Contact Rating:60W / 125VA, Voltage:AC250 / DC200V Max., Current:1A Max.		
Fault Alarm Relay	DPDT Contact Rating:60W / 125VA, Voltage:AC250 / DC200V Max., Current:1A Max.		
<b>FUNCTION</b>			
Discharge Delay Timer	0, 5, 10, 20, 30, 60 Second Selectable		
Number of Zones	2 ( AND / OR Selectable )		
Detector Address	Maximum 32 Point		
History Record	Max.100 events		
Alarm Silence	Push "Alarm Silence" to Silence		
Alarm Buzzer	Fire Alarm: Continuous Trouble Alarm: Intermittent		
Manual Release	Push "Discharge Button" to Discharge		
<b>LED/SW</b>			
AC OK LED	Green ( Off at AC Power Down )		
Pre Discharge LED	Red ( Flashes when in discharge pending. Off when Discharge )		
Discharge LED	Red ( On when Discharge Activates )		
Zone 1 Fire LED	Red ( Flashes when zone 1 alarm )		
Zone 2 Fire LED	Red ( Flashes when zone 2 alarm )		
Manual Release LED	Red ( Flashes when Manual release Activates )		
Fault LED	Yellow ( Flashes when fault )		
Discharge Disabled LED	Yellow ( flashes discharge disabled activates )		
Alarm Silenced LED	Yellow ( Flashes when alarm silenced )		
Discharge Switch	Red push button ( Outside the control panel )		
AC Power Switch	White toggle switches		
Enter Switch	White push button ( for address checking )		
Scroll Switch	White push button ( for address checking )		
Reset Switch	White push button ( for address checking )		
Silence Switch	White push button		
Selected Model			

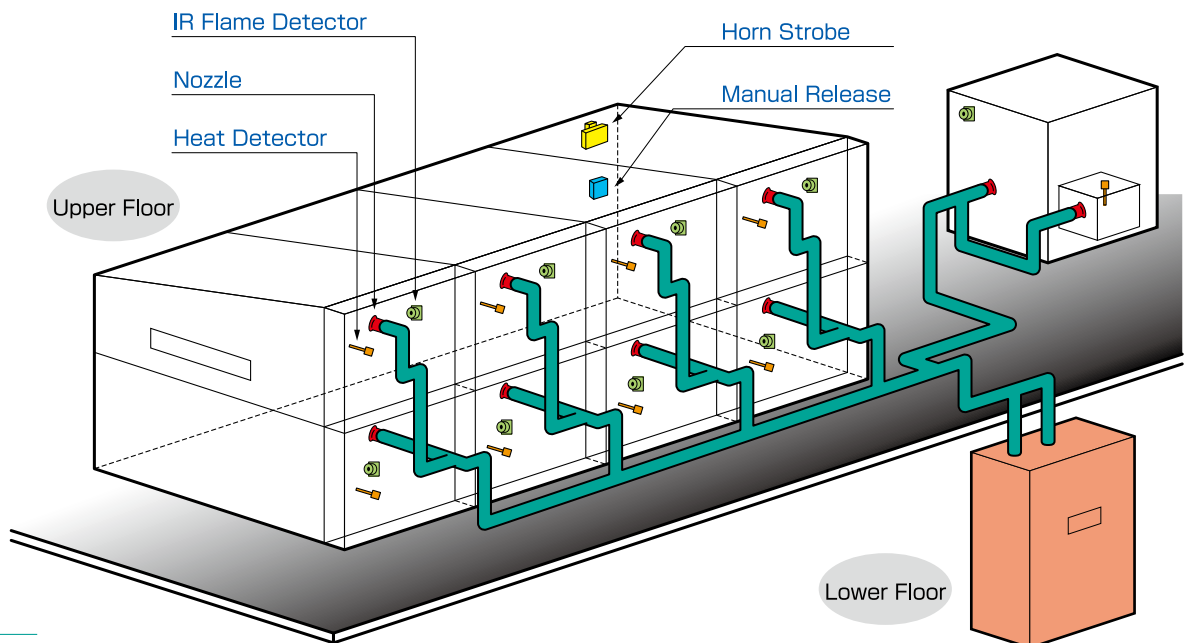
# CO<sub>2</sub> Suppression System for Semiconductor Manufacturing Equipment

## Cabinex-EWT installed on a FPD Equipment

### 1 Coater



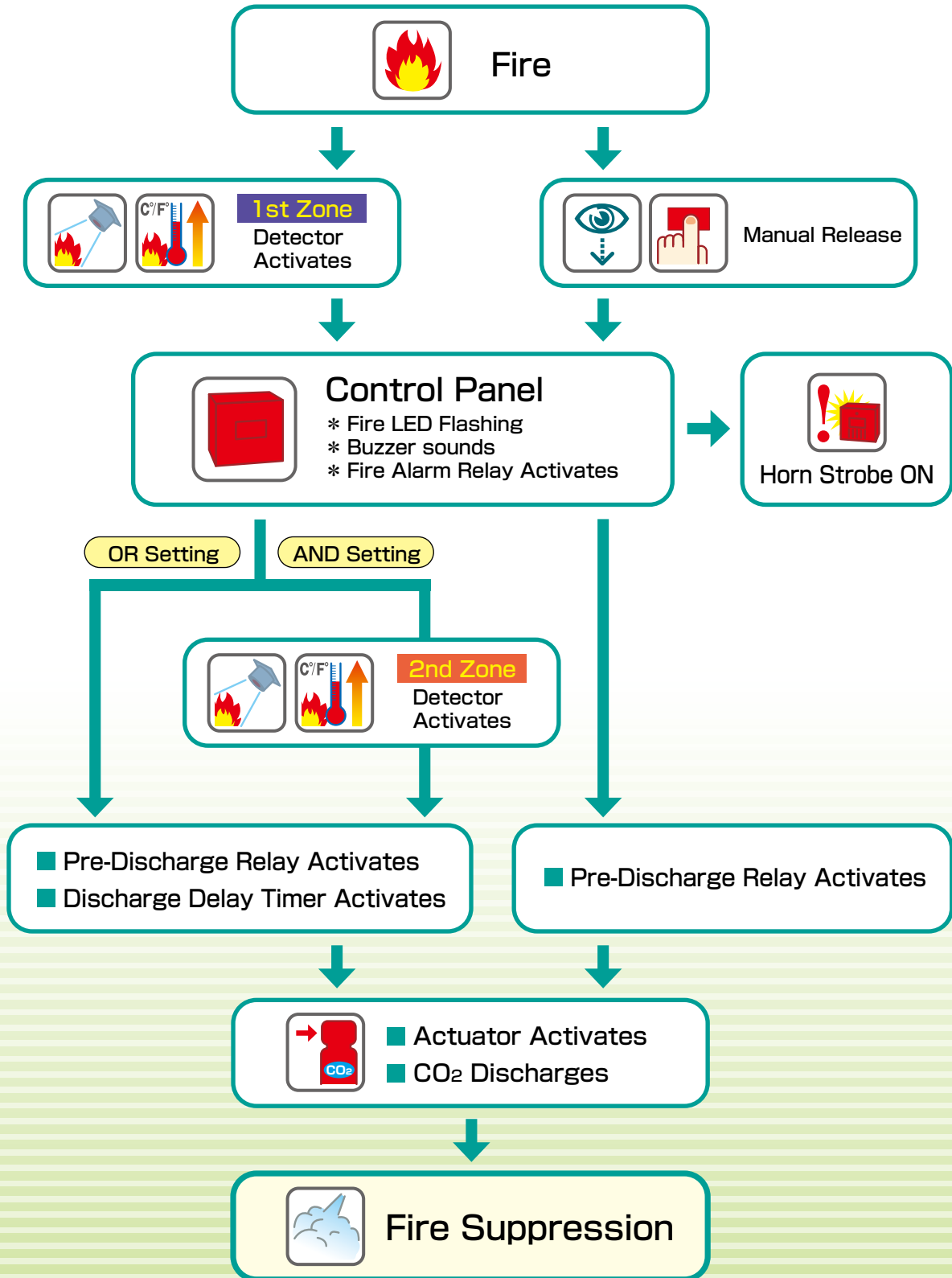
### 2 Stripping Equipment



CABINEX-EWT

Manufacturing machines to be protected  
CABINEX-EWT  
CABINEX-EN2  
CABINEX-KZ  
Installation of Cabinex for SMT, FPD Production Tools, Cabinex Installation for Machine Tools  
ARGONITE-CABINEX  
Sensors  
GLOBAL SERVICE NETWORK  
Company Profile

# CABINEX-EWT Fire Suppression Flow Chart



## High reliability

Highly reliable system, with efficient network back up, gives the users the reliability they demand.

### 3 Wavelength IR Flame Detector SX-7000

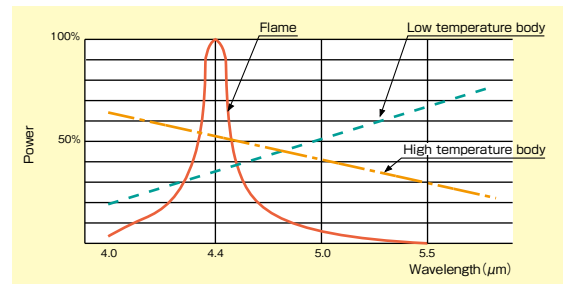
Intrinsically Safe [Class I Div 1]  
When used with a barrier

**SX-7000**  
FM Approved

FM Approvals



- The SX-7000 senses 3 wavelengths of Infra-Red energy, analyses them with its internal CPU and produces an alarm when the "flame pattern" is found. This provides a very reliable detection method with high false alarm immunity.



### Thermistor type proximity heat detector THIS-20

Intrinsically Safe [Class I Div 1]  
When used with a barrier

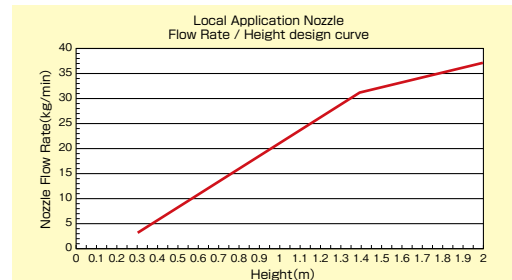
**THIS-20**  
FM Approved

FM Approvals



- The THIS heat detector uses a thermistor element, the resistance of the thermistor decreases with increase in temperature. The change in resistance is detected and an alarm signal is produced at a fire condition. The sensing part is enclosed in stainless steel making it very compact and giving it excellent chemical resistance.

### Local Application Nozzle NZEWN-1/2L



- The Local Application nozzle is specifically designed to prevent splashing of liquid surface hazards found in wet benches. This model is also much more compact than previous models making it ideal for installation when space is limited.

# Approvals of CABINEX-EWT



*NOT to be distributed outside of FM Approvals and its affiliates except by CUSTOMER.*

## APPROVAL REPORT

**CABINEX-EWT Fire Alarm Control System  
With SX-7000 IR Flame Detector  
And THIS Close-Proximity Heat Detector  
For Automatic Releases for Extinguishing Systems  
And Other Fire Protection Equipment**

Prepared for:

Hatsuta Seisakusho Co., Ltd.  
3-5 Shodai Tajika, Hirakata  
Osaka, 573-1132  
JAPAN

Project ID: 3011704  
Class: 3010  
Date of Approval:  
Authorized by:

*[Signature]*  
R. L. Martell, Assistant Vice President

FM Approvals  
1151 Boston-Providence Turnpike  
PO Box 9102  
Norwood, MA 02062



Page 1 of 12



*NOT to be distributed outside of FMGlobal except by CUSTOMER.*

## APPROVAL REPORT

**HATSUTA SEISAKUSHO 25 lb. (11 kg), 50 lb. (23 kg),  
75 lb. (34 kg) AND 100 lb. (45 kg) ENGINEERED, HIGH  
PRESSURE CARBON DIOXIDE FIRE EXTINGUISHING  
SYSTEMS**

Prepared for:

Hatsuta Seisakusho Co., Ltd.  
3-5 Shodai-Tajika  
Hirakata, Osaka, Japan 573-1132

Project Identifier 3006371  
Class 5420  
Date of Approval: May 3, 2004

Authorized by:

*[Signature]*  
Roger L. Allard, Assistant Vice President - Hydraulics

FM Approvals  
1151 Boston-Providence Turnpike  
O. Box 9102  
Norwood, MA 02062



Page 1 of 67



*NOT to be distributed outside of FM Approvals and its affiliates except by CUSTOMER.*

## APPROVAL REPORT

**CLOSE-PROXIMITY HEAT AND SX-7000 FLAME  
DETECTORS FOR USE IN  
HAZARDOUS (CLASSIFIED) LOCATIONS**

Prepared for:

Hatsuta Seisakusho CO. Ltd.  
3-5 Shodai-Tajika, Hirakata  
Osaka 573-1132  
Japan

Project ID: 3012448  
Class: 3610, 3611  
Date of Approval:  
Authorized by:

*[Signature]*  
Robert L. Martell, Asst. Vice President

FM Approvals  
1151 Boston-Providence Turnpike  
PO Box 9102  
Norwood, MA 02062



Page 1 of 9

Manufacturing machines  
to be protected

CABINEX-EWT

CABINEX-EW2

CABINEX-KZ

Installation of Cabinet for  
Sensors  
Sensors  
Cabinet Installation by Machine Tools

ARGONITE-CABINEX

Sensors

GLOBAL SERVICE NETWORK  
Company Profile

# CABINEX-EN2



Automatic Fire Extinguishing System(CO<sub>2</sub>)for Semiconductor and Machine Tools.

CABINEX-EN2 is an automatic fire extinguishing system that does not react chemically with the protected hazards nor leaves any residue.

CABINEX-EN2 provides effectiveness and safety.

This type is suitable for machine tools, exhaust ducts in factories and other equipment.



COX-7EN2

## CABINEX-EN2

### Optimal Fire Detector

- Heat Detector  
THKS-10(for Machine Tools)  
THPS-10 (for Semiconductor /liquid crystal Manufacturing Equipment)
- 3Wave length IR Flame Detector  
SX-3024  
SX-7000

### Point

Various setup can be possible to meet the installation conditions and requirements among those as shown below:

#### Fire Detection Setup:

- Selectable between “AND” function and “OR” function.
- Combination of types of sensors can be selected according to the conditions.
- Small sensors(developed by HATSUTA)available.

#### Flexible Installation and Functional Setup:

- Selectable between “Automatic” and “Manual” operation modes.

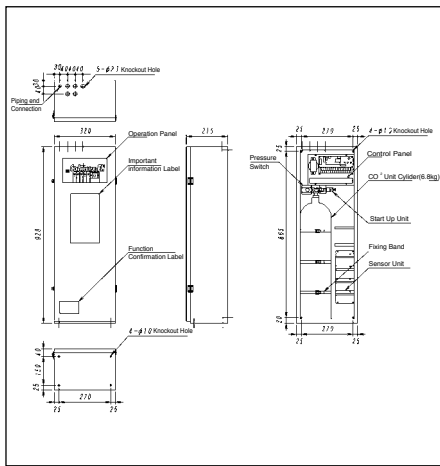
- Selectable between “Panel” combined unit and Panel separated units .



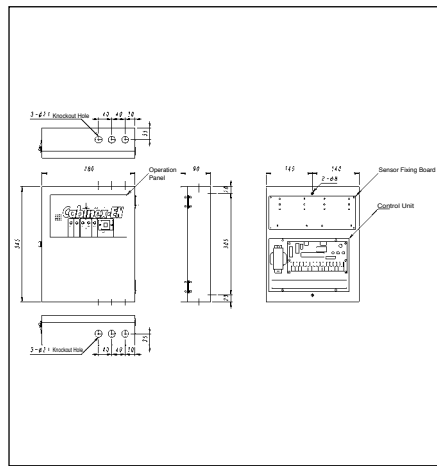
#### Self-Supervision and Safety Precaution:

- Automatic alarm indication of possible fault(s) in the sensors(s) and of pressure reduction in the Extinguishing Agent Container.

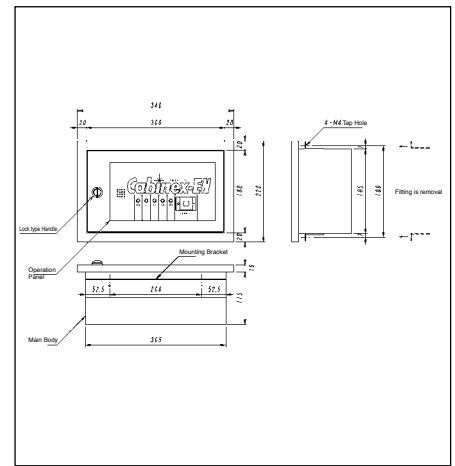
# Constructions



COX-7EN2



CPX-REN2



CPX-UEN2

# CABINEX-EN2 Specifications

Certification No.	Integrated Type					Separate Type Control Unit		
	COX-3EN2	COX-5EN2	COX-7EN2	COX-14EN2	COX-18EN2	CPX-REN2	CPX-UEN2	
Main Chassis & Container	External Dimensions (HxDxW)mm	760x290x180mm	920x320x215mm	920x320x215mm	1160x400x300mm	1160x400x300mm	345x280x90mm	220x340x130mm
	Weight	Approx. 23kg	Approx.35kg	Approx.37kg	Approx.86kg	Approx.90kg	Approx.6kg	Approx.6.3kg
	Fire Extinguishing Agent	Carbon Dioxide ( CO <sub>2</sub> )						
	Weight of the Fire Extinguishing Agent	3.2kg	4.6kg	6.8kg	14kg	18kg	—	
	Coating Specification	Coating Color : Red Melamine Baking Finish, Japaning						
Control Function	Material	Steel ( SPCC ) t= 1.2mm			Steel ( SPCC ) t= 1.6mm			
	Operating Temperature Range	0 to 40°C						
	Input Supply Voltage Range	100V, 110V, 200V, 220V, AC 50/60Hz ( With Each Voltage Terminal )						
	Power Consumption	24VA Max.						
	Operation Circuit Voltage	24V DC						
	Sensor Input Circuit	2 System ( AND / OR Operation Selection System )						
	Push Button for Start-Up	Red Push Button ( With Breaking Acrylic Plate )						
	Reset Button	White Push Button						
	Automatic/Manual Operations Selector Switch	The Fire Extinguisher can be Operated with a Sensor Input Signal in the Automatic Mode						
	Alarm Buzzer	Electronic Buzzer ( Continuous Sound in Case of Fire, Intermittent Sound in Case of Abnormal Condition )						
	Buzzer Stop Switch	Stops the Intermittent Sound in Case of Abnormal Condition ( The Continuous Sound in Case of a Fire Cannot be Stopped )						
	Power Indicator Lamp	Green LED						
	Auto Indicator Lamp	Green LED ( Light Up in the Auto Mode )						
	Fire Indicator Lamp	Red LED ( Flashing in Case of Fire )						
	Discharge Indicator Lamp	Red LED ( Flashing when the Start-Up Unit Operates )						
	Fault Indicator Lamp	Yellow LED ( Flashing at Start-Up Unit Failure, Sensor Wiring Line Suspended and Fire Extinguishing Agent Container Reduced Pressure )						
	Barr-out Indicator Lamp	Red LED ( Flashing at Sensor Wiring Line Suspended )						
	Unit Failure Indicator Lamp	Red LED ( Flashing When the Start-Up Unit Connector is not Connected Yet )						
	Reduced Pressure Indicator Lamp	Red LED ( Flashing When the Fire Extinguishing Container Inner Pressure Drops )						
	Buzzer Stop Indicator Lamp	Red LED ( Flashing at Buzzer Stop )						
Fire Annunciating Contact	Contact c×1							
Machine Stop Contact	Contact c×1, Contact a×1, Contact b×1							
Power Failure Annunciating Contact	Contact c×1							
Contact Specification	Contact Capacity : 60W/125VA Max. Maximum Current: 1A Maximum Voltage: 250V AC/200V DC							
Unit Product Code	60050099	60050199	60050299	60050399	60050499	36584499	36584599	
Selected Model								

Model	Separate Type					Sub Type		
	COX-7ENS2	COX-14ENS2	COX-18ENS2	COX-30ENA2	COX-45ENA2	COX-30ENA2-S	COX-45ENA2-S	
Main Chassis & Container	External Dimensions (HxDxW)mm	920x320x215	1160x400x300	1160x400x300	1755x400x330	1915x525x380	1755x400x330	1915x525x380
	Weight	Approx.36kg	Approx. 84kg	Approx.88kg	Approx.140kg	Approx.180kg	Approx.140kg	Approx.180kg
	Fire Extinguishing Agent	Carbon Dioxide ( CO <sub>2</sub> )						
	Weight of the Fire Extinguishing Agent	6.8kg	14kg	18kg	30kg	45kg	30kg	45kg
	Coating Specifications	Coating Color: Red Melamine Baking Finish, Japaning						
Material	Steel ( SPCC ) t= 1.6mm							
	Operating Temperature Range	0 to 40°C						
Maintenance valve	With Out			With		—		
Unit Product Code	60050999	60051099	60051199	60050599	60050699	60051299	60051399	
Selected Model								

Manufacturing machines to be protected  
 CABINEX-EW2  
 CABINEX-EN2  
 CABINEX-KZ  
 Installation of Cabinet for Sensor Production Tools  
 Cabinet Installation for Machine Tools  
 ARGONITE-CABINEX  
 Sensors  
 GLOBAL SERVICE NETWORK Company Profile

# CABINEX-KZ



## Automatic Fire Extinguishing System(CO<sub>2</sub>)for Machine Tools.

Born from users needs, The fire extinguishing system for small machine tools. Machine tools are increasingly improving their functions and becoming more compact. Hatsuta has been listening to machine tool user's needs and has developed the Cabinex-KZ especially for this purpose.

Keeping the essence of the Cabinex-K series, the KZ is even more compact, and has improved fault analysis functions.

High quality and superior cost performance make the Cabinex-KZ an easy choice.



COX-5/7KZ

### Optimal Fire Detector

- Heat Detector  
THKS-10

## Point



### Compact and Flexible Design

The KZ became more compact than the previous series by 20% and can be fixed to the machine tool by it's back or by either side.

Although machine tools have been getting smaller, the Cabinex-KZ can be installed easily.



### Increased Functions

The Cabinex-KZ has fault detection functions, demanded by users, to make it even safer.

When there is a fault, the buzzer sounds intermittently, and the power indicator blinks, producing an aural and visual indication.



### Aiming to cut the down time of your production line

Delivery delay caused by a fire will lose the trust of your business partners.

To prevent long down times from a fire, and restore your production line as soon as possible, Hatsuta offer an automatic fire extinguishing system at a reasonable price.

Manufacturing machines to be protected  
CABINEX-EWT  
CABINEX-EN2  
CABINEX-KZ  
Installation of Cabinex for  
Sensors for Production Tools  
Cabinet Installation for Machine Tools  
ARGONITE-CABINEX  
Sensors  
GLOBAL SERVICE NETWORK  
Company Profile

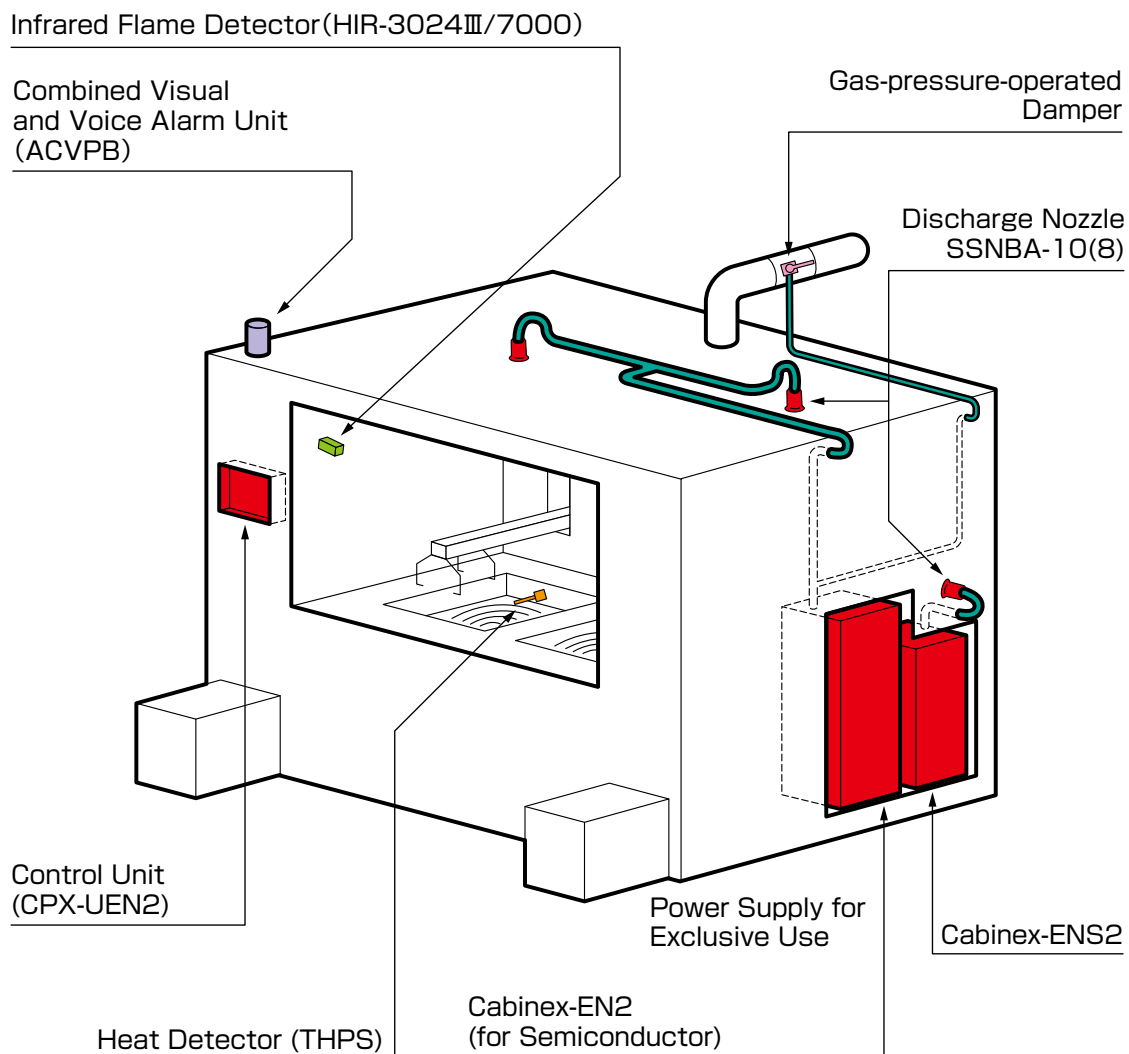


## Installation of Cabinex for Semiconductor and FPD Production Tools

■ Below is a typical installation drawing for Semiconductor and FPD Production Tools.

■ Explanation of each part of the Cabinex system.

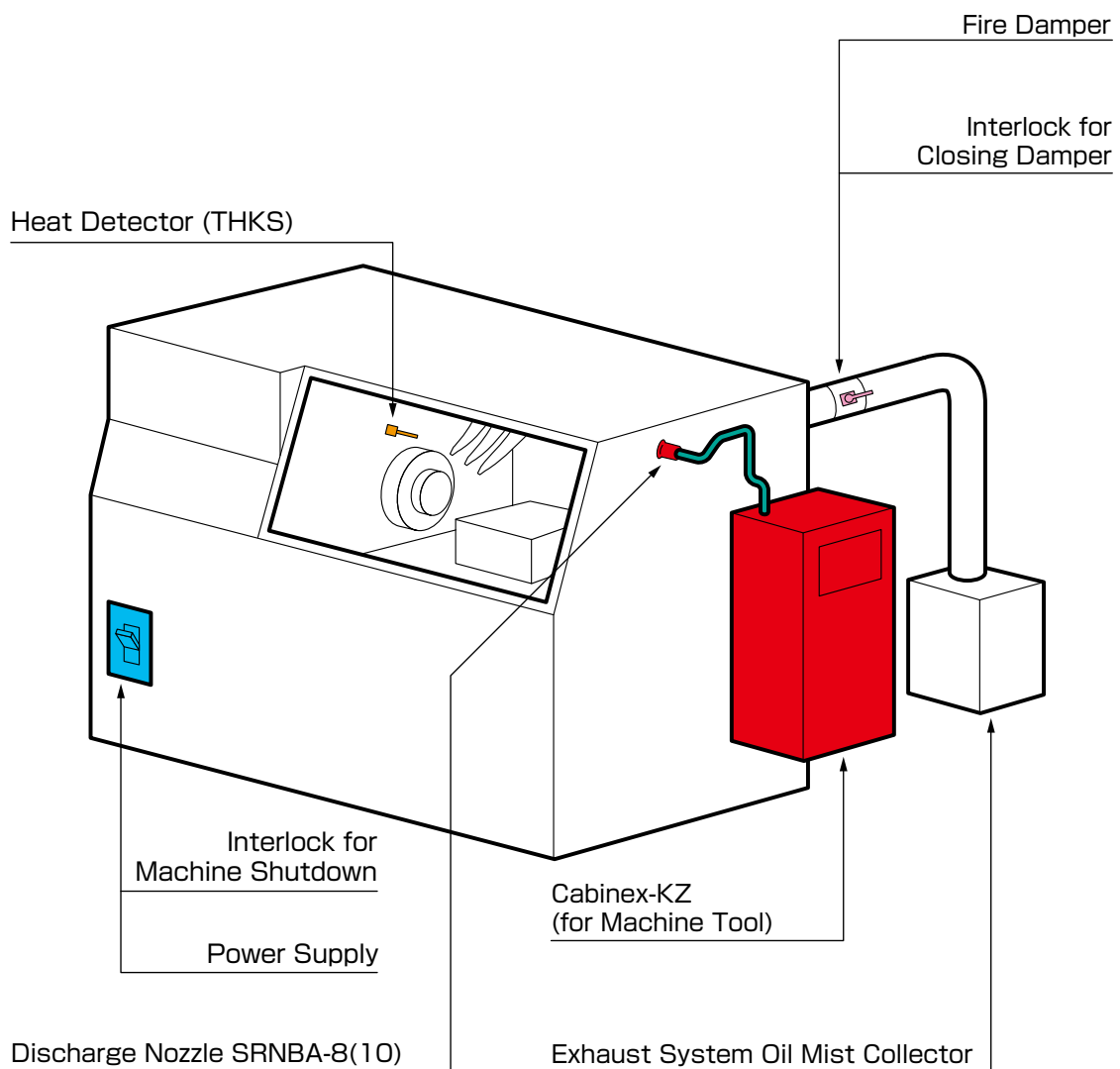
1. CABINEX Body·Main : to contain CO<sub>2</sub> Cylinder and Control Panel. It should be selected in accordance with the volume of extinguishing chemical agent required.
2. CABINEX Body·Sub : to contain only CO<sub>2</sub> Cylinder which is discharged together with Main's simultaneously.
3. TH Sensor : Heat Detector at 70°C. Hatsuta's original sensor.
4. Infrared Sensor : Flame Detector. Hatsuta's original sensor.
5. Nozzle : Total flooding system.



## Cabinex Installation for Machine Tools

- The drawing below is a typical example for installation of CABINEX for NC lathe. The same systems can be applied for Machining Center.
- Explanation of each part of the Cabinex system.

1. CABINEX Body : It contains CO<sub>2</sub> Cylinder and Control Panel. It should be decided in accordance with the volume of chemical agent required.
2. TH Sensor : Heat Detector at 70°C. Hatsuta's original sensor.
3. Nozzle : Total flooding system.



# ARGONITE-CABINEX

Automatic Fire Extinguishing System (Argonite<IG-55>) for Magnesium Alloy Chipping.

## Global & Clean ARGONITE CABINEX

“Corresponding with the ISO 14000 Epoch”

As the movement to cleaning up the Environment and Ecology has spread, fire fighting has focused on clean extinguishing agents.

Argonite Cabinex is an automatic fire fighting system using an ideal agent “Argonite”, which has zero coefficient in both global warming and ozone depletion.

Argonite Cabinex’s safety and benignancy to the environment make it the most suitable automatic fire extinguishing system in this epoch.



AGX-4

### Optimal Fire Detector

- Heat Detector  
THPS-10
- 3Wave length IR Flame Detector  
SX-3024  
SX-7000
- Sensor for fires from magnesium alloy shavings  
MIR-100

## Point



### Ecologically benign gas

As we are concerned about the global ecology and environment, Argonite which is composed of natural elements, Argon ( 50% ) and Nitrogen ( 50% ) will not destroy any ozone or contribute in any way to global warming. This fire extinguishing agent is clean and benign to our mother earth.



### Global Standard

Argonite ( IG-55 ) has been recognized by NFPA 2001. It has been widely utilized and acknowledged as in international standard fire extinguishing agent.



### Suitable for fires from magnesium alloy shavings

The system can automatically extinguish extremely difficult metal fires. The MIR sensor is suitable for detecting fires from magnesium alloy shavings.



### Widely Applicable

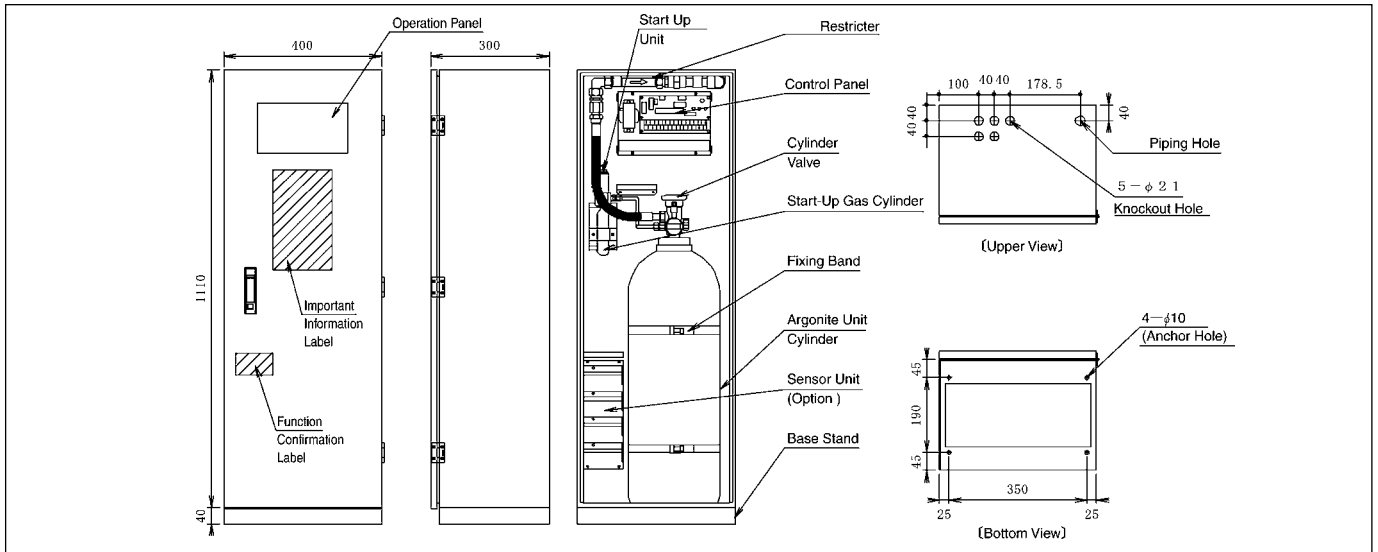
Argonite can be effectively utilized on various kinds of combustibles and especially appropriate to subjects for which water type or foam type fire extinguishing system are not compatible. In view of this feature of Argonite, it is suitable in the protection of electric facilities and many more applications.



### Convenient

Argonite Cabinex is ideally suitable for various kinds of industrial equipment as the detection system circuit is selectable for AND / OR operation. Using various optional sensors, the system is compatible with almost all equipment installation. Argonite Cabinex is selectable for manual or automatic activation. As the container for fire extinguish agent can be separated from the control panel, Argonite Cabinex can be installed in almost every situation.

# Constructions



AGX-4

# ARGONITE CABINEX Specifications

Main Type		Integrated Type			Separate Type Control Unit	
Model No.		AGX-2	AGX-4	AGX-8	CPX-AGR ( Exposed Type )	CPX-AGU ( Recess Type )
Main Chassis & Container	External Dimensions (H×W×D) mm	1,150×400×300mm	1150×400×300mm	1660×400×330mm	345×280×90mm	220×340×130mm
	Total Weight	Approx.70kg	Approx.80kg	Approx.110kg	Approx.5.4kg	Approx. 5.7kg
	Extinguishing Agent	IG-55			—	
	Effective Discharge Volume	1.8m <sup>3</sup> (20°C)	3.8m <sup>3</sup> (20°C)	7.3m <sup>3</sup> (20°C)	—	
	Coating Specification	Red, Melamine Baking Finish				
Control Function	Operating Temperature Range	0 to 40°C				
	Input Supply Voltage Range	100V, 110V, 200V, 220V AC 50/60Hz ( with each voltage terminal )				
	Power Consumption	24VA Max.				
	Operation Circuit Voltage	24VA DC				
	Sensor Input Circuit	2 Systems ( AND / OR operation selection system )				
	Push Button for Start-Up	Red Push Button ( with breaking acrylic plate )				
	Reset Button	White Push Button				
	Automatic / Manual Operation Selector Switch	The fire extinguisher can be operated with a sensor input signal in the automatic mode				
	Alarm Buzzer	Electronic Buzzer ( Continuous sound in case of fire, Intermittent sound in case of abnormal condition )				
	Buzzer Stop Switch	Stops the intermittent sound in case of abnormal condition ( The continuous sound in case of a fire cannot be stopped )				
	Power Indicator Lamp	Green LED				
	Auto Indicator Lamp	Green LED ( Light up in the auto mode )				
	Fire Indicator Lamp	Red LED ( Flashing in case of fire )				
	Discharge Indicator Lamp	Red LED ( Flashing when the start up unit operates )				
	Fault Indicator Lamp	Yellow LED ( Flashing at start up unit failure, sensor wiring line suspended and fire extinguishing agent container reduced pressure )				
	Barn Out Indicator Lamp	Red LED ( Flashing at sensor wiring line suspended )				
	Unit Failure Indicator Lamp	Red LED ( Flashing when the start up unit connector is not connected yet )				
Buzzer Stop Indicator Lamp	Red LED ( Flashing at buzzer stop )					
Fire Annunciating Contact	Contact c×1					
Power Failure Annunciating Contact	Contact c×1					
Machine Stop Contacts	Contact c×1, Contact a×1, Contact b×1					
Contact Specifications	Contact Capacity: 60W / 125VA Max. Maximum Current: 1A Maximum Voltage: 250V AC / 200V DC					
Option	Battery	Ni-Cd Battery / 24V DC / 0.45Ah / 5Hours				
	Timer	Delayable up to 10 seconds				
	Remote Start Button	Possible to start up remote push button				
Unit Product Code		60043099	60043199	60043299	36550699	36550799
Selected Model						

Sub Type		Separate Type				
Model No.		AGX-2S	AGX-4S	AGX-8S	AGX-13S	AGX-16S
Main Chassis & Container	External Dimensions (H×W×D) mm	1,150×400×300mm	1150×400×300mm	1660×400×300mm	2170×420×380mm	2170×420×380mm
	Total Weight	Approx.67kg	Approx.77kg	Approx.107kg	Approx.170kg	Approx.190kg
	Extinguishing Agent	IG-55				
	Effective Discharge Volume	1.8m <sup>3</sup> (20°C)	3.8m <sup>3</sup> (20°C)	7.3m <sup>3</sup> (20°C)	12.4m <sup>3</sup> (20°C)	15.0m <sup>3</sup> (20°C)
	Coating Specifications	Red, Melamine Baking Finish				
Operating Temperature Range	0 to 40°C					
Unit Product Code		60043399	60043499	60043599	60043699	60043799
Selected Model						

Manufacturing machines  
to be protected

CABINEX-EWT

CABINEX-EN2

CABINEX-KZ

Installation of Cabinet for  
Sensor Production Tools  
Cabinet Installation to Machine Tools

ARGONITE-CABINEX

SENSORS

GLOBAL SERVICE NETWORK  
Company Profile

# Sensors

## Triple IR Wavelength Detector

**SX-7000**  
FM Approved



The SX-7000 uses an internal microprocessor to confirm the infrared spectral pattern of a flame. After confirming it is a fire, a detection signal is produced. This is a very reliable detector with few false alarms.

**SX-3024III**



The detector uses 3 wavelengths of infrared energy to detect a flame, it is much faster than a heat detector, and is very reliable. By using a microprocessor it is very compact and can be installed in places that were previously difficult to install a flame detector.

SENSORS

## Heat Sensor

**THIS-20**  
FM Approved



**THPS-10S**



**THKS-10**



The heat sensors alarm when a set temperature is reached to indicate a fire. The TH series use a thermistor that is incased in a stainless body, making it resistant to solvents. The THIS sensor is FM approved and can be used in explosion hazard locations. The THPS is of similar construction to the THIS but is not FM approved. The THKS is designed for use on lathes and machining tools.

SENSORS

## SG Sensor

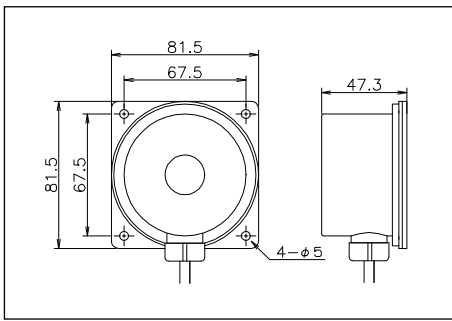
**SG Sensor**



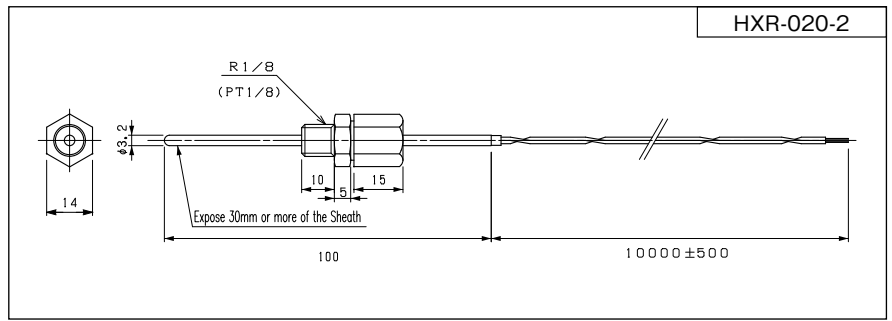
When a fire occurs in an electrical control panel it is rare for a flame to suddenly ignite. Usually the cables produce smoke and carbon monoxide as they smolder at the initial stages of a fire. The SG sensor can detect such gases and produce an alarm at the initial stages of an electrical fire. It can also detect flammable gases such as alcohols, and solvents.

SENSORS

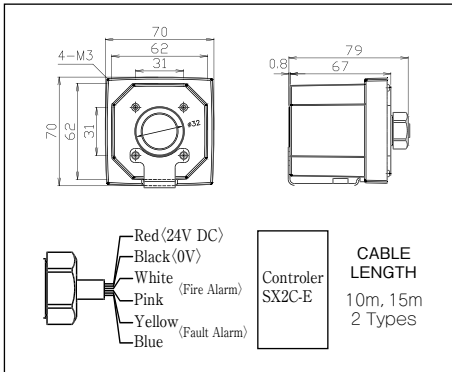
## Constructions Drawing



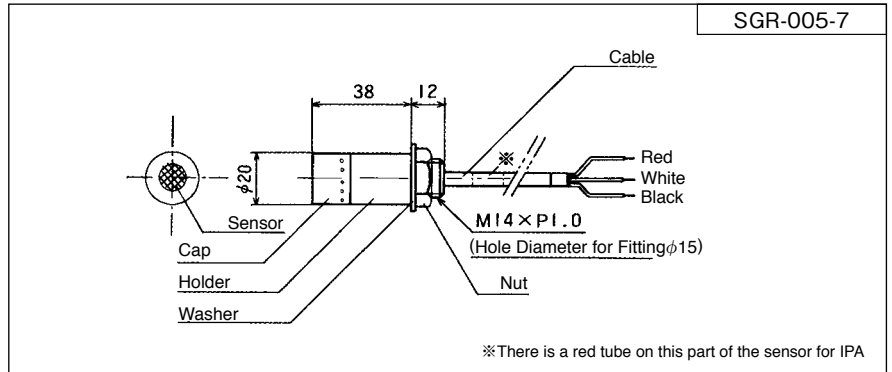
SX-7000



THPS-10S



SX-3024III



SGP-NA/NC

## Specifications

Item	Triple IR Wavelength Detector		Thermistor Heat Sensor			Smoke & Flammable Gas Detector	
	SX-7000	SX-3024III	TH SENSOR			SG SENSOR	
Product Name	SX-7000	SX-3024III	TH SENSOR			SG SENSOR	
Model	HIR-7000-20	HIR-3024III	THIS-10/20	THPS-10S	THKS-10	SGP-NA03	SGP-NC03
Approvals	FM APPROVED	-	FM APPROVED	-	-	-	-
Measurement (H×W×D)mm	81.5×81.5×47.3	70×70×79	φ3.2×100	φ3.2×100	φ3.2×63.5	φ20×38	
Cable Length	20m	10m/15m	10m/20m	10m		3m	
Environmental Set Temperature	0~70°C	0~50°C	0~100°C			0~50°C	
Detectable Level	±50°C Cone Shaped	±25°C Cone Shaped	SI Module Setting 70,100,120,150°C	2TH Controller Setting 50,70,100,120,150°C		IPA1000ppm= LEVEL 5	CO200ppm= LEVEL 5
Material	PP		SUS304			C3604	
Weight	160g		70g			180g	
Detection Method	Infrared		Thermistor			Gas sensing semiconductor element	
Power Source	DC24V		DC24V			AC 85~264V 50/60Hz	
Structure	IP67 Dust protection and water protection construction Intrinsically Safe Class I Div2 Group A,B,C,D	IPX6 (Water Protection)	Intrinsically Safe Class I Div2 Group A,B,C,D	Protective stainless steel tube		Stainless steel double metal mesh construction	
Color	Translucent		-	-	-	-	-
Product Code	36515900	36180000/36595000	36516100/36516200	36050288	36085088	36099700	36099600
Controller	Model	SX7-2C-EN	SX-2C-E	Controller 2TH-E		Control Panel SGC-L20REV 01	
	Product Code	36028400	36550500	36550200		36092400	

# HATSUTA-GLOBAL



HATSUTA SEISAKUSHO CO., LTD.



## GLOBAL SERVICE NETWORK OF CABINEX

### SYSTEM DESIGN

experience in meeting local and international safety requirements.

### SALES AND SUPPORT

full sales support for systems and replacement parts.

### INSTALLATION

in cleanroom according to local fire rules

### MAINTENANCE

periodical maintenance and testing.

### CO<sub>2</sub> REFILL

for quick recovery.

### FIRE PROTECTION ADVISING

advice on fire systems for your application.

Manufacturing machines to be protected

CABINEX-EWT

CABINEX-EN2

CABINEX-KZ

Insulation of Cabinex for SMD Production Tools Cabinex Insulation for Machine Tools

ARGONITE-CABINEX

Sensors

GLOBAL SERVICE NETWORK

# SERVICE NETWORK



HATSUTA (NINGBO) FIRE-FIGHTING EQUIPMENT CO., LTD.



## Company Profile

Name : Hatsuta Seisakusho Co., Ltd.

President : Kazuhiro Hatsuta

Established : December 1st, 1902

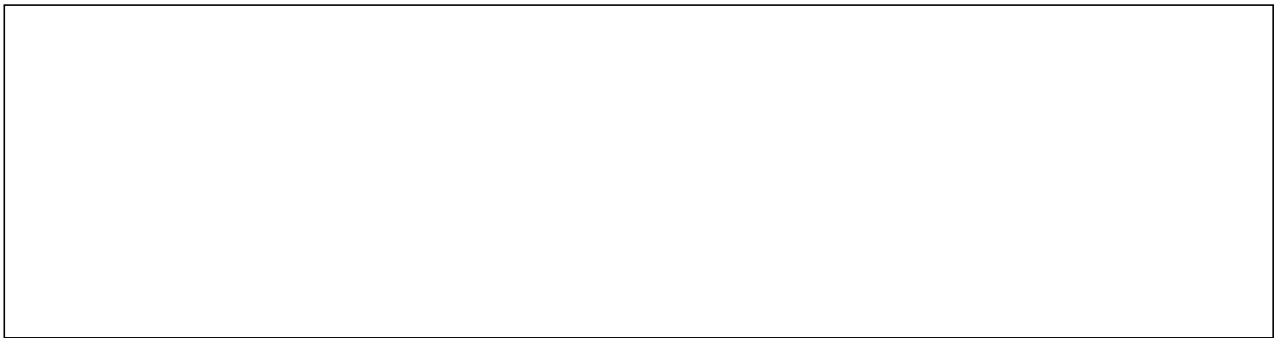
Capital Fund : USD 0.8 million

Main products : Fire extinguishing systems, alarm systems,  
fire-extinguishing equipment,  
equipment associated with the prevention of fire.





 [www.hatsuta.co.jp](http://www.hatsuta.co.jp)



Global Sales Dept.  
Hatsuta Seisakusho Co.,Ltd. Tel:+81-72-856-1292



ISO 9001  
JQA-QM3671

ISO 14001  
JQA-EM2837